



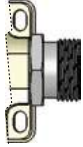
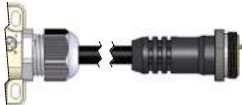
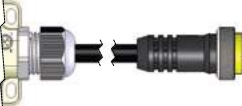
JDC (M12) Junction Blocks

6 Port, 3 Pin JDC Junction blocks

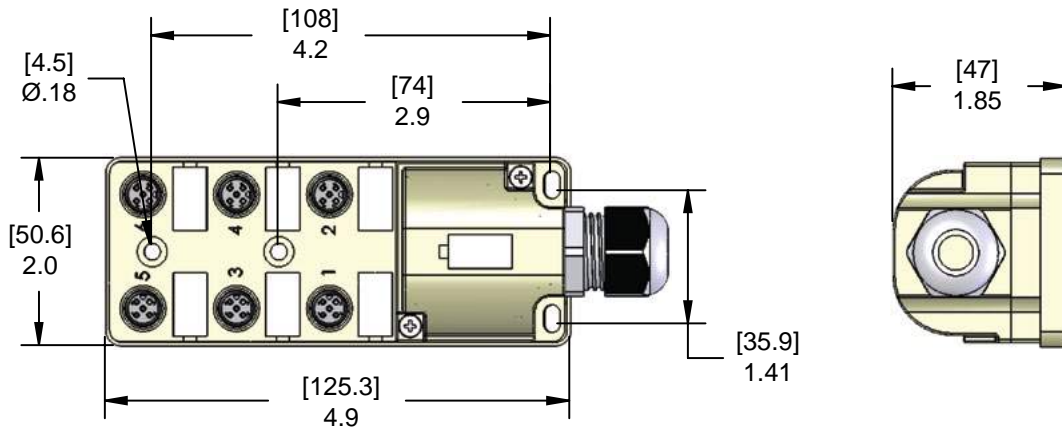


MIN Receptacle | MIN Plug | IP67 Protection Rating



Trunk Style	UL Rating	Trunk Connection	Part Number		
			No LED	PNP	NPN
	N/A	MIN Size II 8 Pole Male Receptacle	JDC-630-008-M000	JDC-63P-008-M000	JDC-63N-008-M000
	N/A	MIN Size II 8 Pole Male Plug with Male Thread	JDC-630-008-M003	JDC-63P-208-M003	JDC-63N-208-M003
	N/A	MIN Size II 8 Pole Male Plug	JDC-630-008-M**	JDC-63P-208-M**	JDC-63N-208-M**

** Lengths in meters. Standard Cable lengths are 2m, 5m and 10m. Consult factory for other lengths.



JDC Junction Blocks

Q

Specifications:

Ratings:	3 A per Connector 8 A per Block
Voltage:	Without LEDs: 0-150 Volt Max With LEDs: 48 VDC Max in accordance with LED Configuration
Body:	Polypropylene
Inserts:	Polyamide
Port Coupling Nuts:	PBT
O-Ring:	BUNA-N
LED Lens:	Polycarbonate
Contacts:	Copper Alloy with Gold Plating
Marker Tags:	Polyamide (supplied on all units)

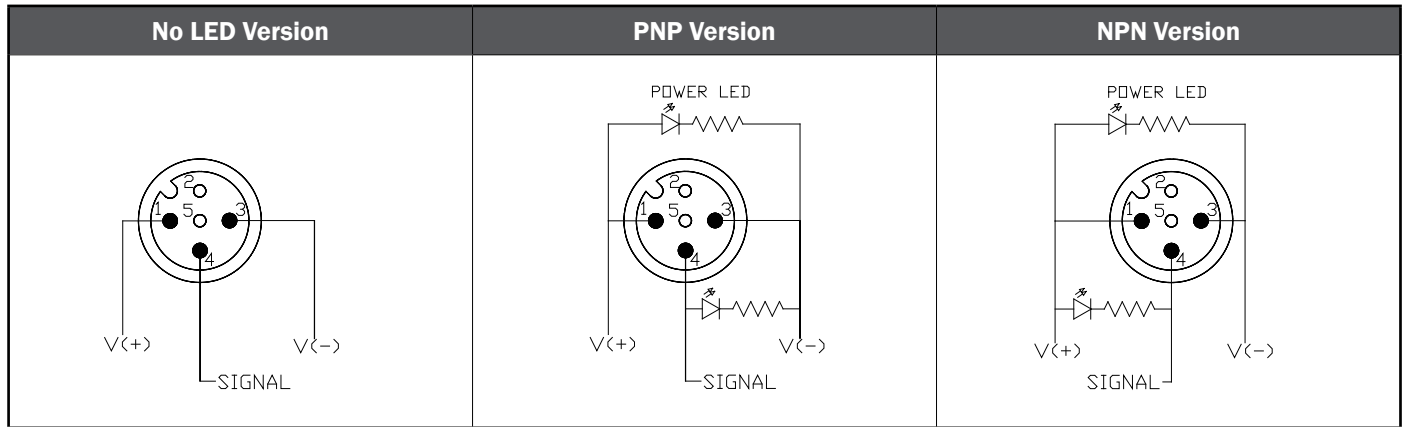


JDC (M12) Junction Blocks

6 Port, 3 Pin JDC Junction blocks



MIN Receptacle | MIN Plug | IP67 Protection Rating



Function	MIN-8MR Receptacles Version	MIN-8MP Plug Version
Male Faceview	<p>1"-16UN2</p>	<p>1"-16UN2</p>
+ V	PIN #8	PIN #8
- V	PIN #7	PIN #7
PORT 1 PIN 4	PIN #6	PIN #6
PORT 2 PIN 4	PIN #5	PIN #5
PORT 3 PIN 4	PIN #4	PIN #4
PORT 4 PIN 4	PIN #3	PIN #3
PORT 5 PIN 4	PIN #2	PIN #2
PORT 6 PIN 4	PIN #1	PIN #1
Mating Plug for Receptacle or Plug	MIN-8FPX-*	MIN-8FP-*

* Length in feet. Standard Cable lengths are 3, 6, 12, 20, 30 & 50 feet. Consult factory for other lengths.